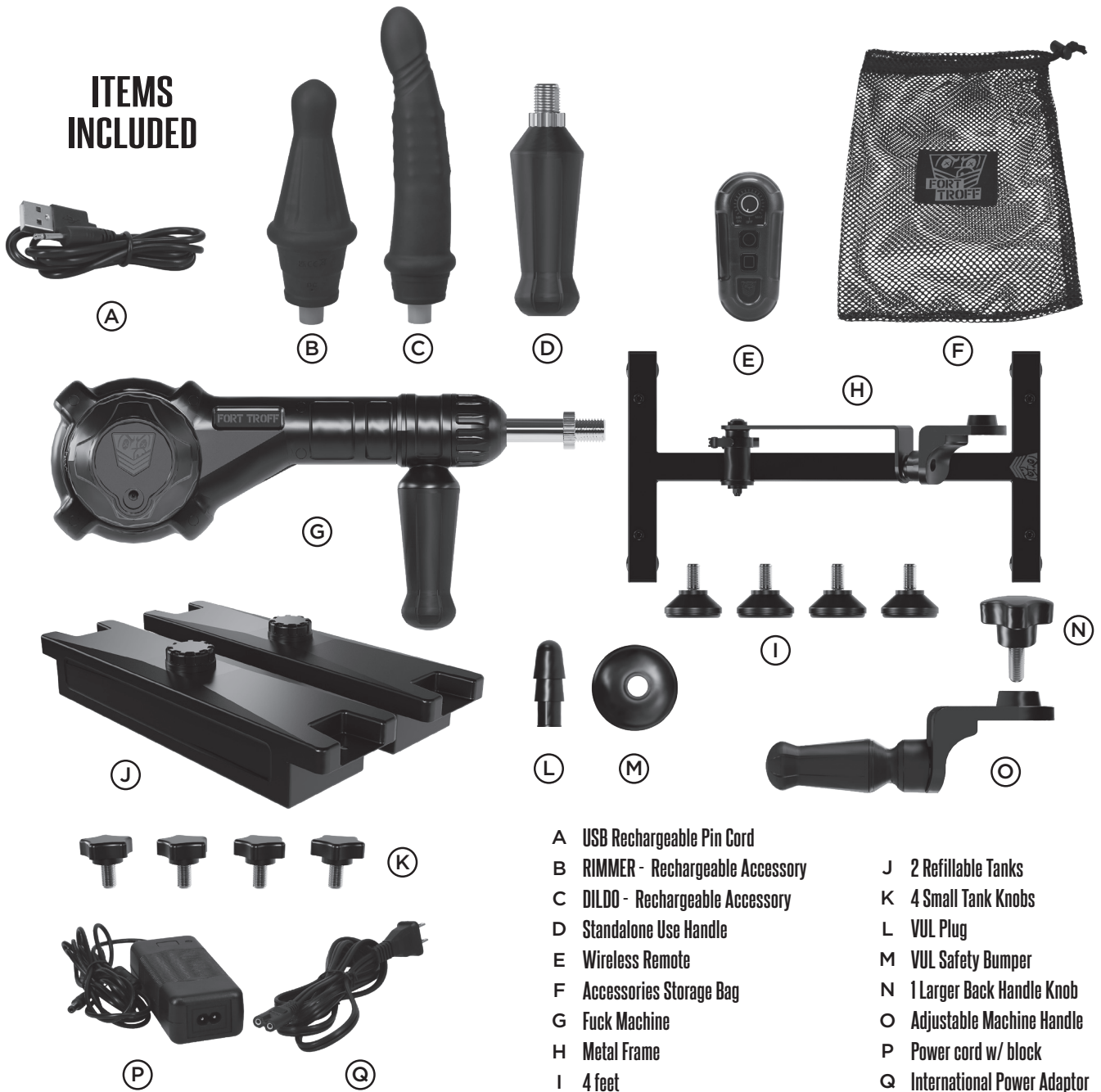


FORT TROFF ISSUED GUNNER SYSTEM MODULAR FUCK MACHINE

ASSEMBLY, USAGE and CARE INSTRUCTIONS

ITEMS INCLUDED



- A USB Rechargeable Pin Cord
- B RIMMER - Rechargeable Accessory
- C DILDO - Rechargeable Accessory
- D Standalone Use Handle
- E Wireless Remote
- F Accessories Storage Bag
- G Fuck Machine
- H Metal Frame
- I 4 feet
- J 2 Refillable Tanks
- K 4 Small Tank Knobs
- L VUL Plug
- M VUL Safety Bumper
- N 1 Larger Back Handle Knob
- O Adjustable Machine Handle
- P Power cord w/ block
- Q International Power Adaptor

ASSEMBLY

FOR HAND-HELD USE

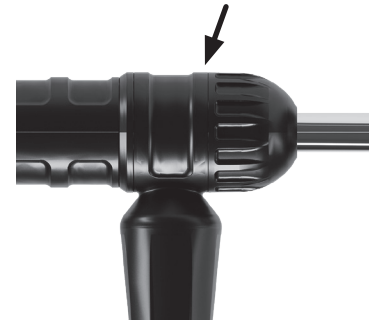


- ① Install Adjustable back handle as shown with large knob.

To adjust the handle's angle, unscrew the knob until the handle is free to rotate. Tighten the knob again at your desired position.



- ② Unscrew machine nose until the handle rotates freely as shown



- ③ Once in the desired position, tighten the nose again until firmly secured.

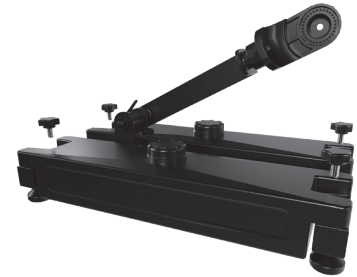
FOR MOUNTED USE



- ① Screw all four feet to bottom of base

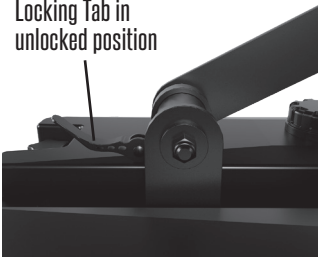


- ② Fill the removable tanks with clean water or play sand. Screw their lids on tightly



- ③ Use the 4 small tank knobs to attach the filled tanks to the metal base.

Locking Tab in unlocked position

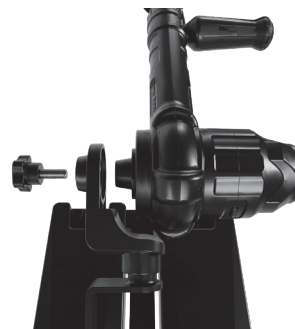


- ④ Locate the rotating arm lock tab and unlock it by lifting as shown. Once unlocked, the arm will rotate freely. Place it at desired height.

Locking Tab in locked position



- ⑤ Once in the desired position, lock it in place by pushing the lock tab in its original, locked position.



- ⑥ Attach the fuck machine to the rotating arm as shown, by screwing the large handle knob through the machine holder into the machine itself, until tightly secure in the desired position.

FOR STANDALONE HANDLE USE



Screw attachment onto accessory handle

USAGE

MACHINE ONLY OR MACHINE ATTACHED TO BASE



- 1 Plug the rounded socket into the fuck machine



- 2 Plug the rubber socket into the bottom of the power bank
- 3 Plug power cord into wall outlet. if not in the US, plug into universal adaptor and then plug into wall



- 4 Screw on attachment of your choice, as far as it will go with the buttons facing up, secure with locking ring

TO USE

TO TURN ON



- 1 Hold both buttons on attachment for 3 seconds or until each LED display is illuminated



Mode Wheel

- 2 Move the wheel on the back of the machine one click to put on standby mode

MAKE IT A PARTY

ACTIVATE PARTY MODE: If both attachments are turned on, remote will control both attachments

TO CONTROL ON TOY



- 1 Press power buttons on base of attachment to cycle through 3 rimming speeds and 7 vibrating functions
- 2 To begin and adjust thrusting motions, adjust the mode wheel on the back of the machine.

TO CONTROL ON REMOTE

You can use remote and on-toy buttons in the same play session

- 1 Make sure that all LEDs on attachment are illuminated
- 2 Turn knob on remote from off to on
- 3 To begin and cycle through rimming/vibrating functions, press the buttons on the remote
- 4 To begin thrusting, turn the knob until you find your ideal speed



Remote is magnetic and can stick to machine base or magnetic surface of your choice

USING VAC-U-LOCK ATTACHMENTS



- 1 If using a VUL attachment, place safety bumper on machine, then screw on VUL plug.
- 2 Attach VUL attachment of your choice (sold separately)

TO TURN OFF

- 1 To turn off remote, turn knob all the way to off (on hold)
- 2 To turn off attachment, hold each button on the toy for 3 seconds or until LED turns off



- 3 To turn off thrusting, turn wheel until it clicks off



- 4 Unplug the machine and store Attachments

TO CHARGE

- ① Plug pin cord into device that needs charging
 - ② Connect to your preferred power source
- ◆ Remote and rechargeable attachments' LED displays will blink quickly when battery is low
 - ◆ Device will blink while charging
 - ◆ The LED display will stay solid once fully charged
GET charging/usage times



CLEANING & WARNINGS

Care Instructions: Spray with Fort Troff Mean Clean Toy Cleaner, or wash with mild soap and warm water. Allow to dry completely before storing separately from other toys in a cool, dry place. Use with water-based lubricant/glide. *Fort Troff Mean Clean sold separately.

Warning for Vibrating Products: To avoid injury or aggravation of pre-existing conditions, this product should not be used on swollen or inflamed areas or skin lacerations. No medical claims are warranted or implied by the use of this product.

- ◆ Accessories are water resistant
(Do not submerge)



Manufactured for Fort Troff by Doc Johnson in Los Angeles, California. Sold As A Novelty Only. Made in the PRC. All Rights Reserved. The shape and appearance of the product inside this package are a trademark and trade dress of Doc Johnson Enterprises. Copyright © 2023. Distributed by Doc Johnson Enterprises. P.O. Box 9908, North Hollywood, CA 91609-9908.

FOR WARRANTY INFORMATION, GO TO DOCJOHNSON.COM

EU Authorised Representative (for authorities only) ProductIP AR Services Galvanistraat 1, 6716 AE Ede, The Netherlands

UK Authorised Representative (for authorities only) ProductIP (UK) Ltd. 8, Northumberland Av., London WC2N 5BY



for product information
scan code or go to
doejohnson.com/forttroff

